



Flygt DX

SUBMERSIBLE WASTEWATER & DRAINAGE PUMPS, 50HZ

Moving or removing water - clean, used or worse

Presenting the DX range from Flygt. Compact, high-performance, submersible pumps with pump body and motor casing in stainless steel. Available with a vortex channel or grinder type impeller. In all, there are eleven sizes offering a wide range of applications:

- from 0.55 to 1.1 kW, 1-phase, and 0.55 to 1.5 kW, 3-phase versions
- emptying of sewage collection tanks, civil drainage and used water in general
- usage in Pressurized Sewage Systems (DXG)
- drainage of underpasses and yards, tanks and reservoirs, ditches and trenches
- transfer of dirty water
- transfer of clean and contaminated waters
- emergency drainage in case of flooding
- transfer of groundwater

Features

- Dry motor
- Continuous duty with liquid at 35°C when the pump is completely submerged
- Twin seal system with lower mechanical seal in Silicone Carbide and upper lip seal in nitrile rubber
- Float switch in compliance with European standards
- Power supply cable in neoprene type HO7RN-F

Featuring the DX 35-5 and DXV 35-5

- Discharge 1 1/2" BSP
- 35 mm passage of suspended solids
- Impeller in fibreglass-reinforced nylon

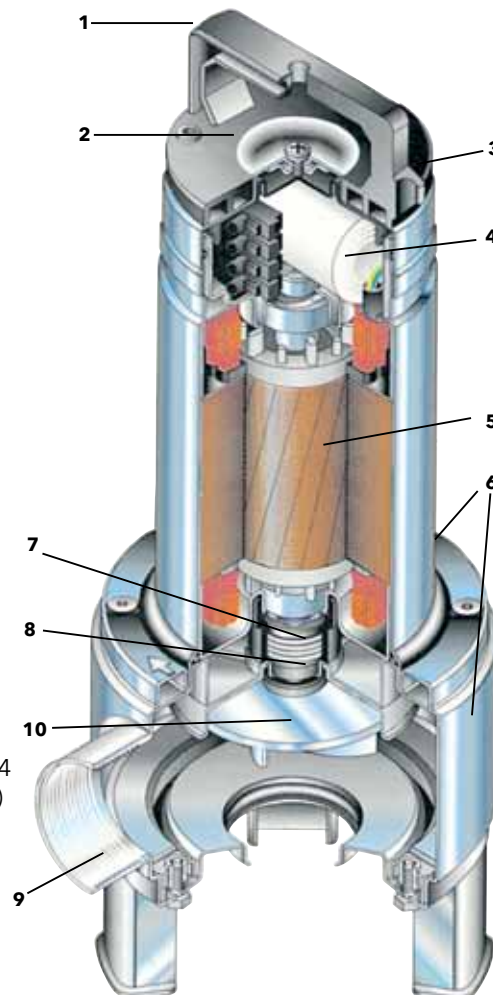
Featuring the DX 50-7, 50-11, 50-15, and the DXV 50-7, 50-11, 50-15:

- Discharge 2" BSP (convertible to flanged version with optional accessory)
- 50 mm passage of suspended solids
- Twin channel or vortex impeller in stainless steel

Featuring DXG 25-11, and DXGM 25-11

- Discharge 1" BSP
- DXG impeller in fibreglass reinforced PBT plastic and cutting parts in hardened stainless steel.

- 1 Lifting handle, fibreglass reinforced nylon
- 2 Testing hole for injecting compressed air to check the hermetic seal of the motor gaskets
- 3 Cable holder. The float switch cable can be fixed at various heights to start the pump at the fluid level required
- 4 Capacitor
- 5 Dry motor, with class F windings and built-in motor protection (for single-phase versions)
- 6 Pump body and motor casing in stainless steel AISI 304. DXG cast iron
- 7 Sealing system: Outer mechanical seal in silicon carbide. Inner lip seal in nitrile rubber
- 8 Shaft in stainless steel AISI 304
- 9 Delivery port from 2" (50 mm) except DX(V) 35-5 with 1 1/2" ports (35 mm) and DXG with 1" (25 mm)

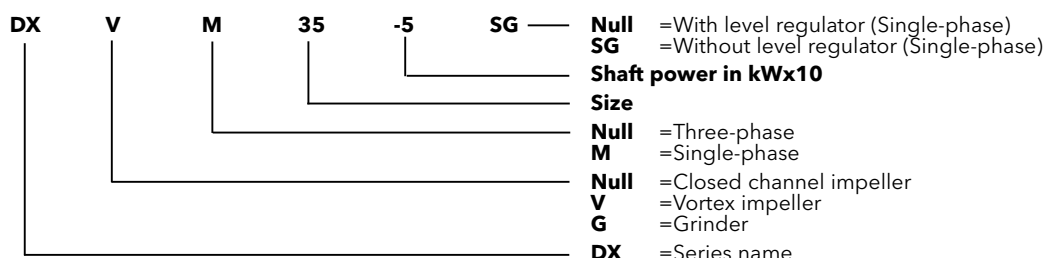


- 10 Impeller, DXV vortex or DX channel type, in stainless steel AISI 304 (or fibreglass-reinforced nylon in the DXV 35-5)

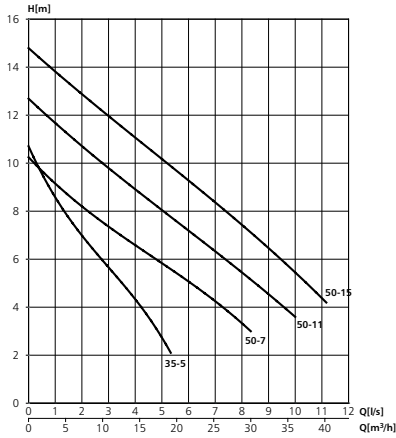
DXG impeller in fibreglass reinforced PBT plastic and cutting parts in hardened stainless steel



- all elastomers in nitrile rubber (NBR)
- all screws and washers in stainless steel AISI 304

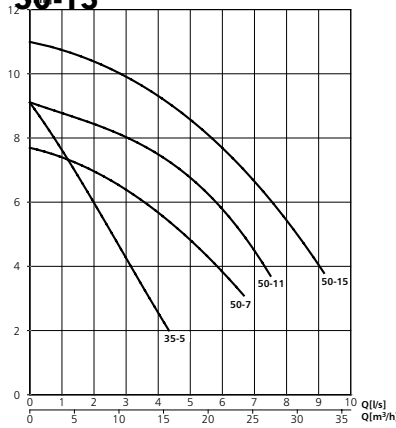


DX 35-5, 50-7, 50-11, 50-15



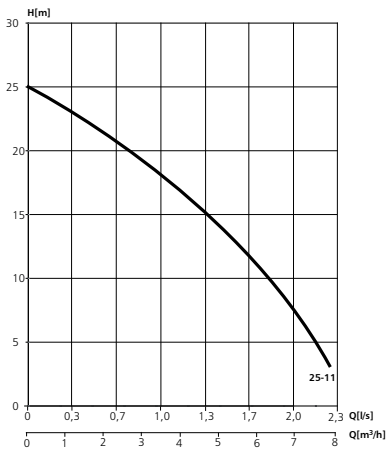
	DX 35-5	DX 50-7	DX 50-11	DX 50-15
Rated output kW	0.55	0.75	1.1	1.5
Max head m	10.5	10.0	12.7	14.8
Max flow l/min	320	500	600	675
1-phase	X	X	X	-
3-phase	X	X	X	X
Rated current				
1-phase A	3.94	5.84	7.02	-
3-phase A	1.49	2.36	2.73	3.81
Discharge conn: 1 1/2"	2"	2"	2"	2"
Voltage	1-phase 230V, 3-phase 400V			
Max temp of pumped liquid	35°C			
Cable HO7RN-7	10 m			
Float switch for 1-phase	optional			

DXV 35-5, 50-7, 50-11, 50-15



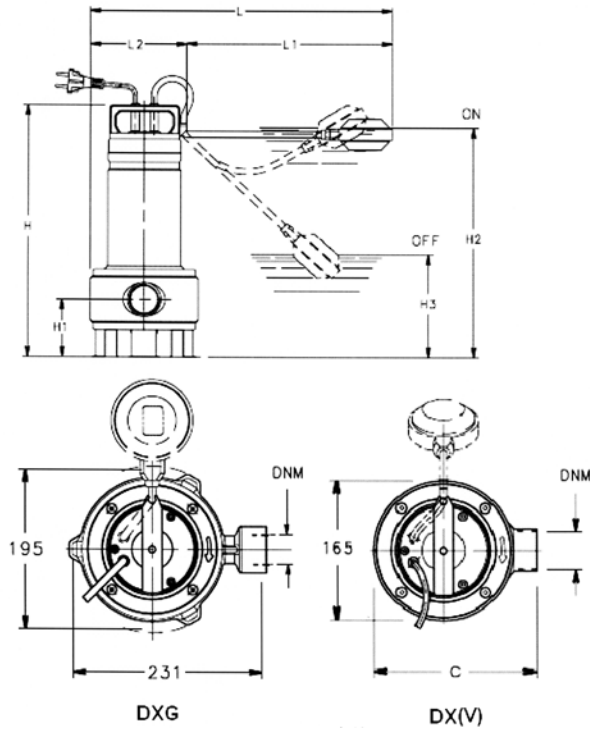
	DXV 35-5	DXV 50-7	DXV 50-11	DXV 50-15
Rated output kW	0.55	0.75	1.1	1.5
Max head m	9	7.7	9	11.2
Max flow l/min	250	400	450	550
1-phase	X	X	X	-
3-phase	X	X	X	X
Rated current				
1-phase A	3.94	5.84	7.02	-
3-phase A	1.49	2.36	2.73	3.81
Discharge conn: 1 1/2"	2"	2"	2"	2"
Voltage	1-phase 230V, 3-phases 400V			
Max temp of pumped liquid	35°C			
Cable HO7RN-7	10 m			
Float switch for 1-phase	optional			

DXG 25-11



	DXG 25-11	DXGM 25-11
Rated output kW	1.1	1.1
Max head m	25	25
Max flow l/min	2.2	2.2
1-phase	-	X
3-phase	X	-
Rated current		
1-phase A	230V	- 7.02
3-phase A	230V	4.73 -
	400V	2.73 -
Max temp of pumped liquid	35°C	
Cable HO7RN-7	10 m	
Float switch for 1-phase	optional	

Pump dimensions and weight



Pump type	Dimensions in mm							DNM	Weight kg
	H	H1	H2	H3	L	L1	L2		
DX(V) 35-5	391	88						ISO G1 1/2"	8.9
DX(V) 50-7	438	111.5						ISO G2"	11.6
DX(V) 50-11	468	111.5						ISO G2"	13.6
DX(V) 50-15	468	111.5						ISO G2"	14.6
DX(V)M 35-5	391	88	375	155	420	275	145	ISO G1 1/2"	10.2
DX(V)M 50-7	468	111.5	420	155	495	350	145	ISO G2"	13.6
DX(V)M 50-11	468	111.5	420	155	495	350	145	ISO G2"	15.3
DXG 25-11(with legs)	446	104	296	135			158	ISO G1"	18.3
DXG 25-11(w/o legs)	404	60		91			158		
DXGM 25-11(with legs)	446	104	296	135	508	350	158	ISO G1"	19.0
DXGM 25-11(w/o legs)	404	60		91			158		



Flygt is a brand of Xylem. For the latest version of this document and more information about Flygt products visit www.flygt.com